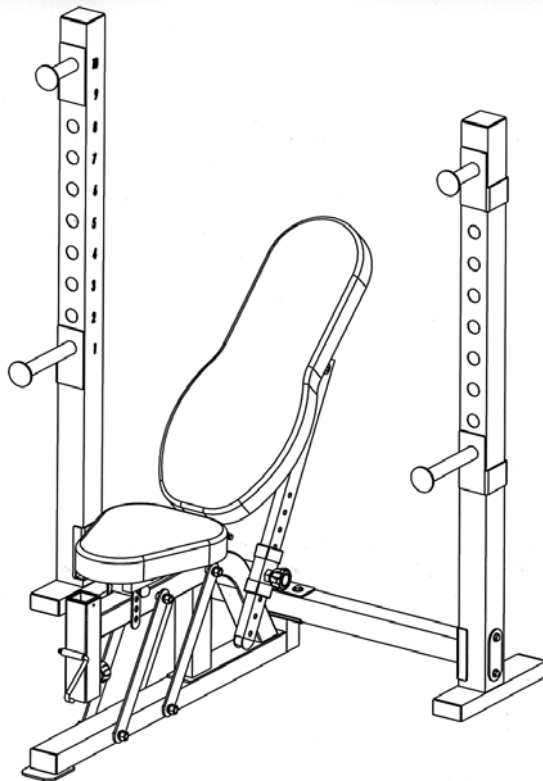


MP EX

F I T N E S S P R O D U C T S

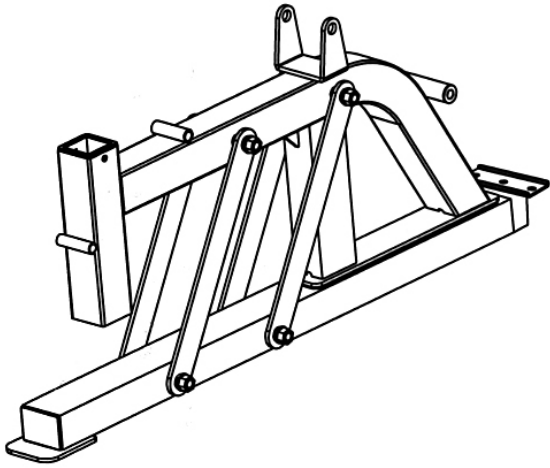
MARCY PRO OLYMPIC BENCH PM-4200



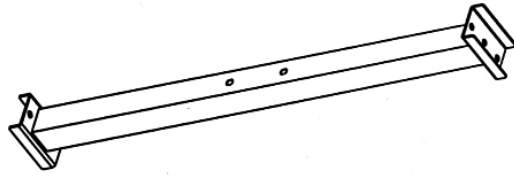
IMPORTANT: Please read the Important Safety Notice and Assembly Information in the Owner's manual before assembling this product.

Assembly Manual

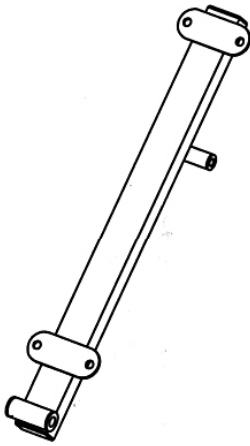
110922



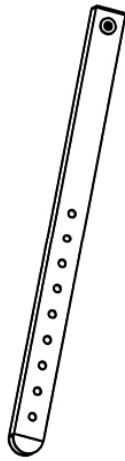
① ③ ⑥



②



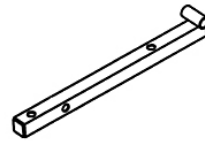
④



⑤



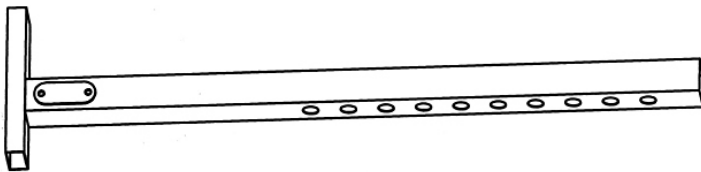
⑦



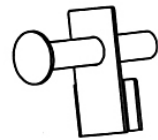
⑧



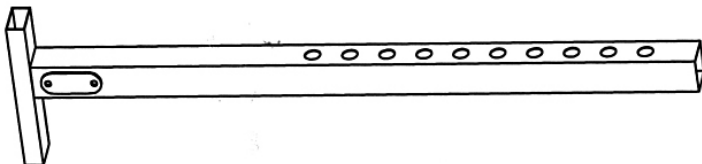
⑨



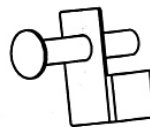
⑩



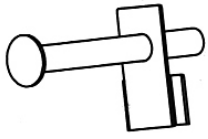
⑫



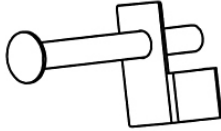
⑪



⑬



14



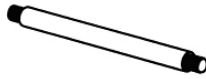
15



16



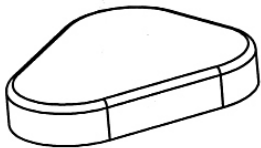
17



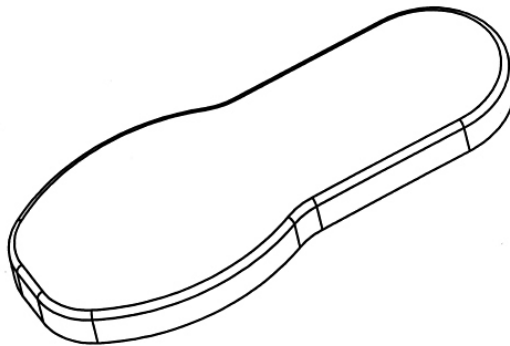
18



19



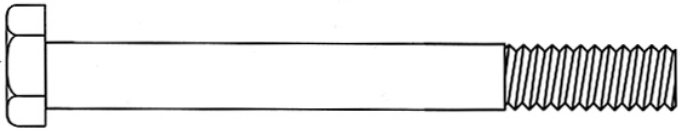
20



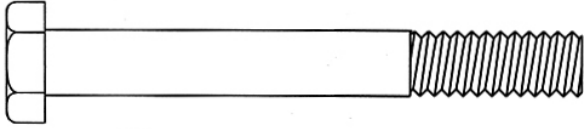
21



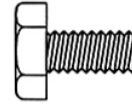
32



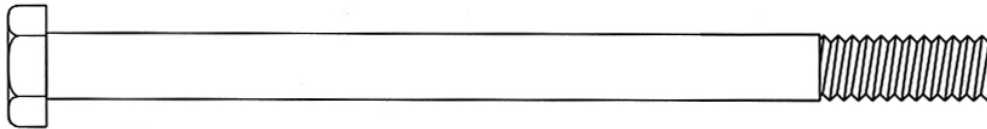
35



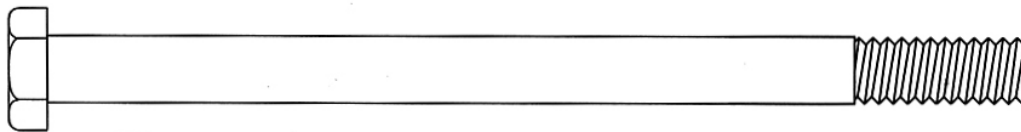
36



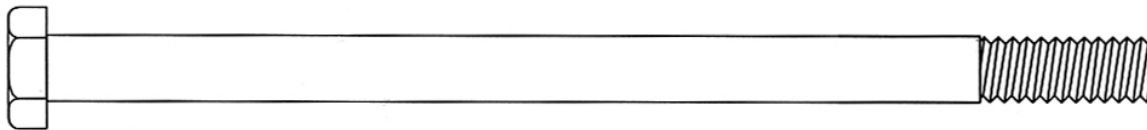
41



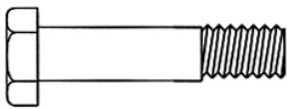
37



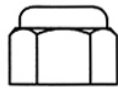
38



39



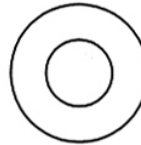
40



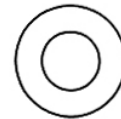
42



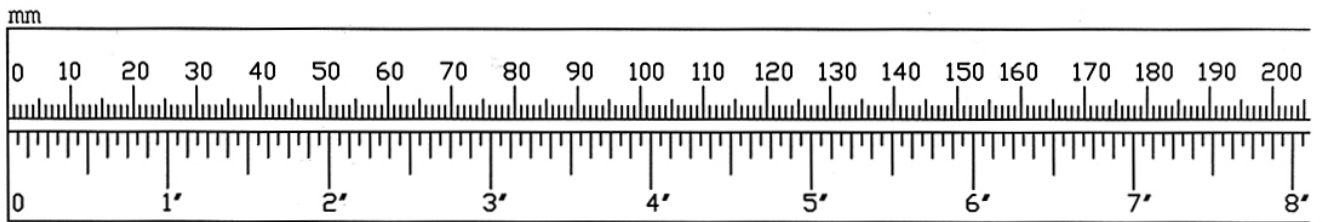
43



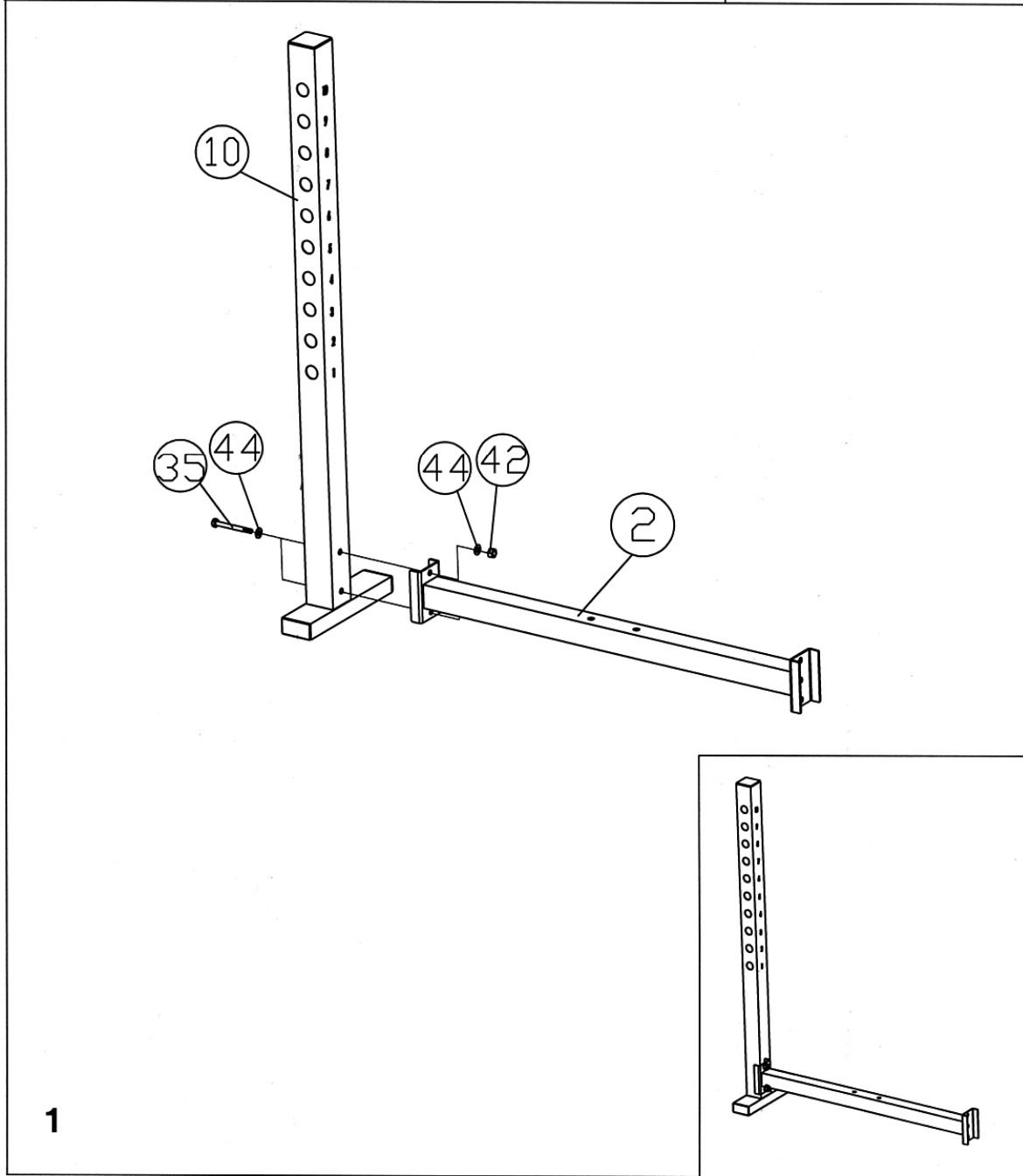
44

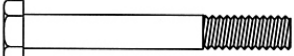
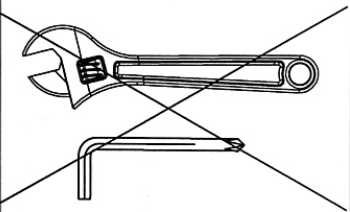




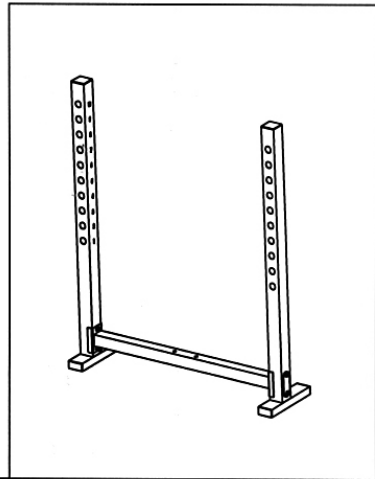
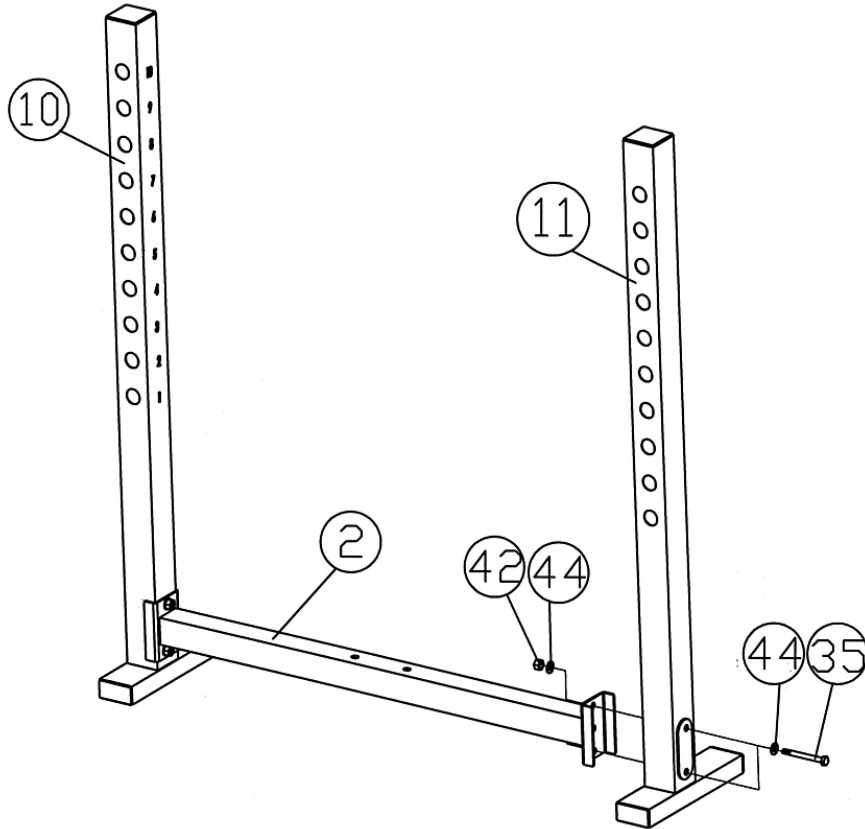
45



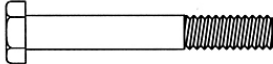
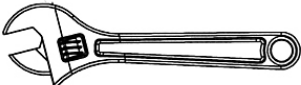

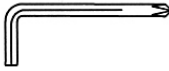

35		M12 x 4"	2	
42		M12	2	
44		ø 1"	4	

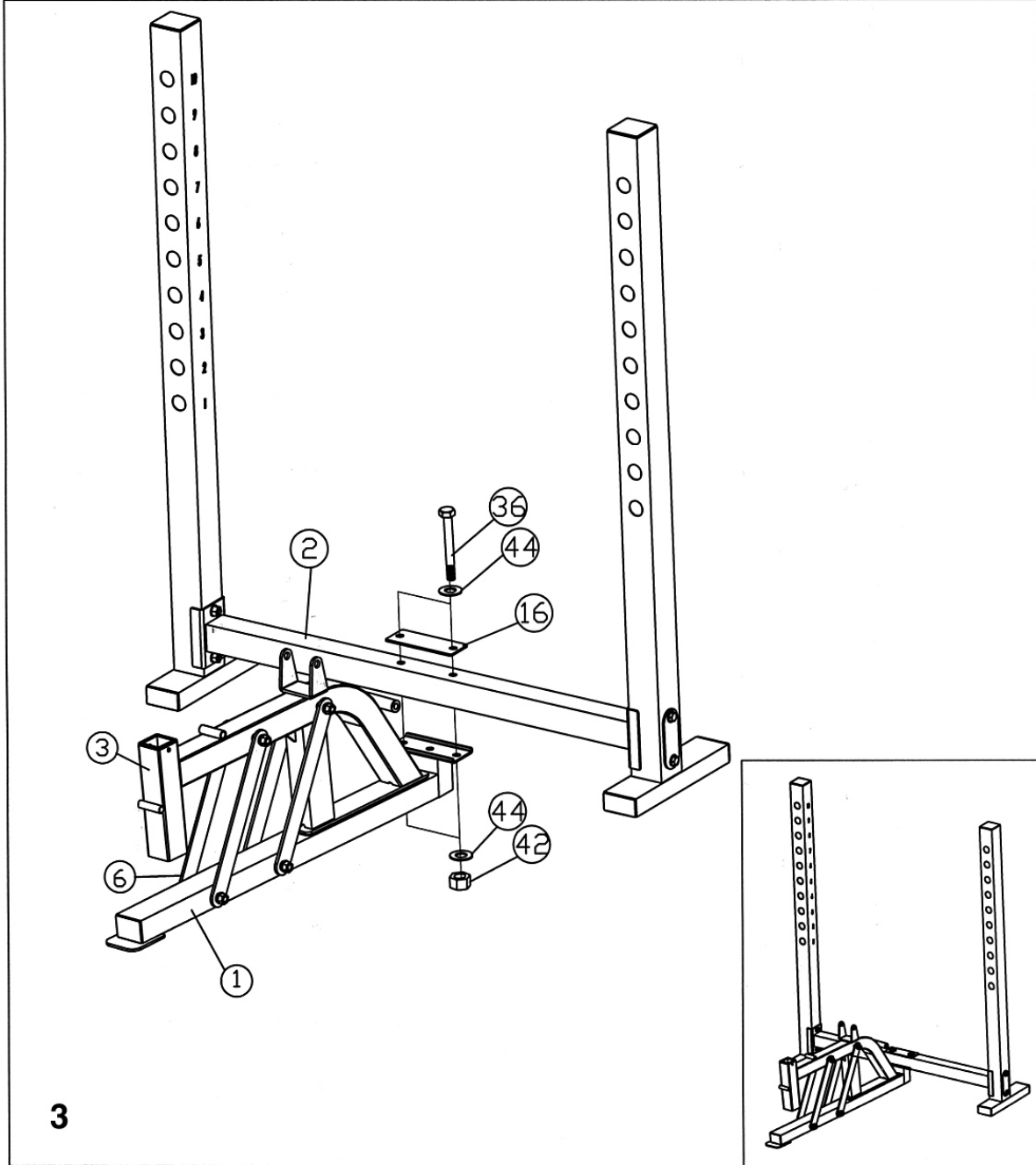


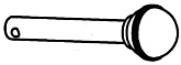
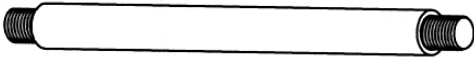
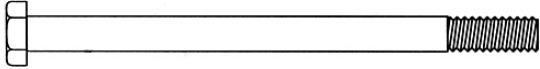


35		M12 x 4"	2	
42		M12	2	
44		Ø 1"	4	

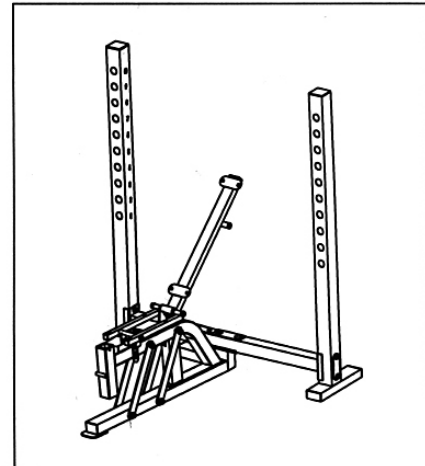
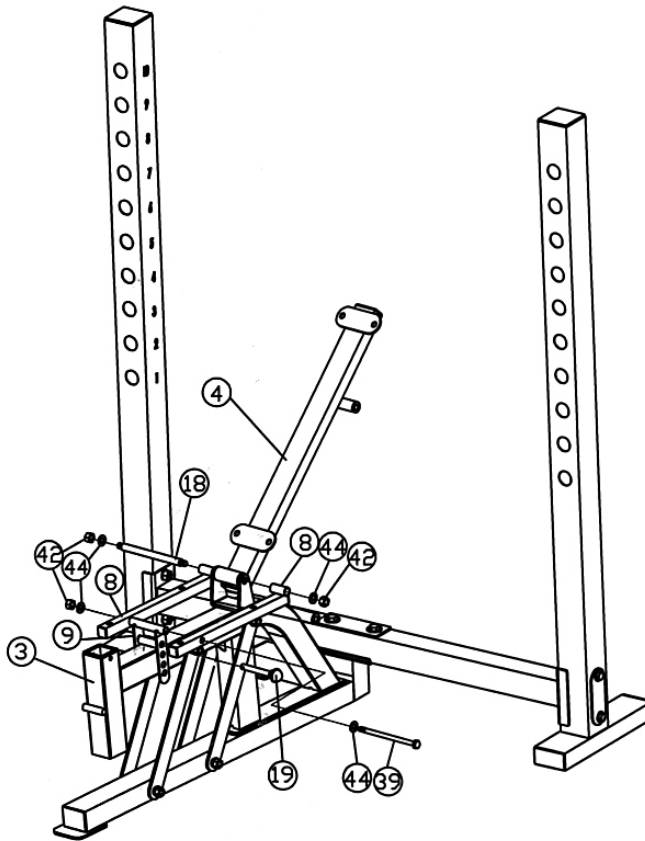
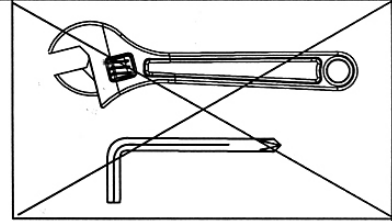


2

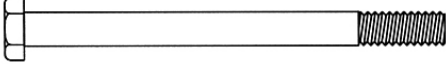
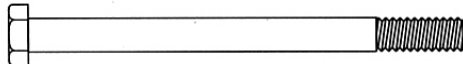


36		M12 x 3 $\frac{3}{8}$ "	2	
42		M12	2	
44		Ø 1"	4	

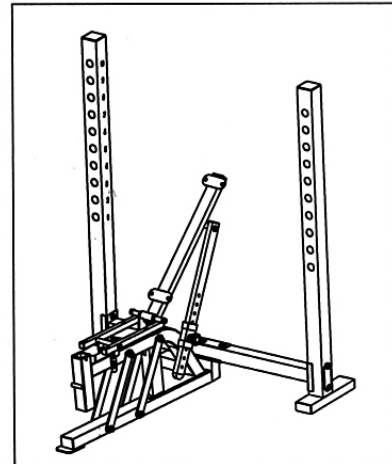
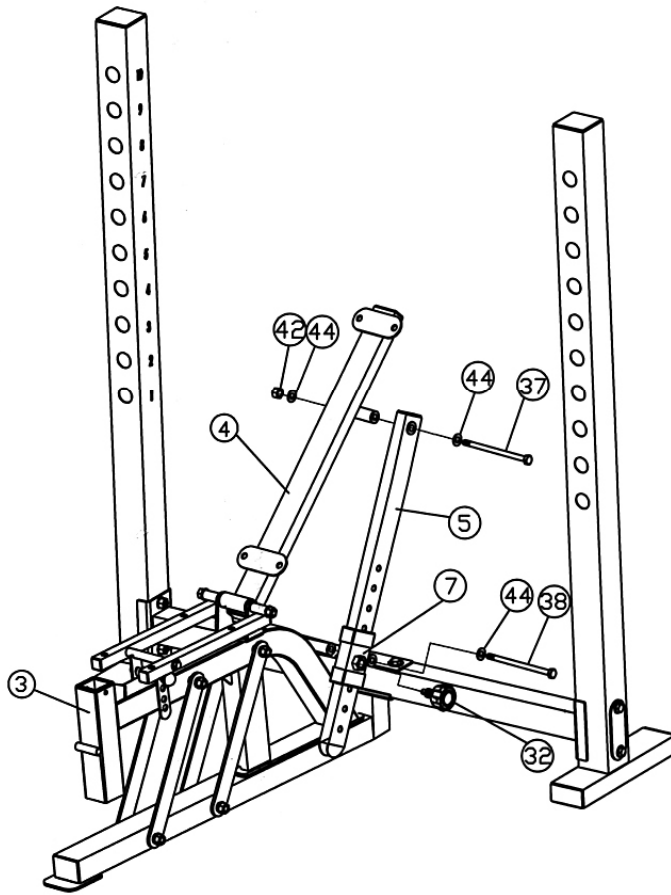
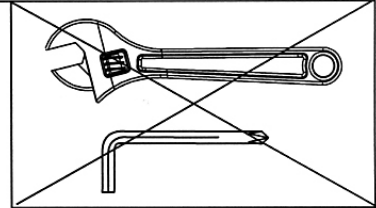


19			1
18			1
39		M12 x 6 $\frac{7}{8}$ "	1
42		M12	3
44		∅ 1"	4


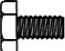
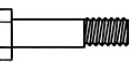




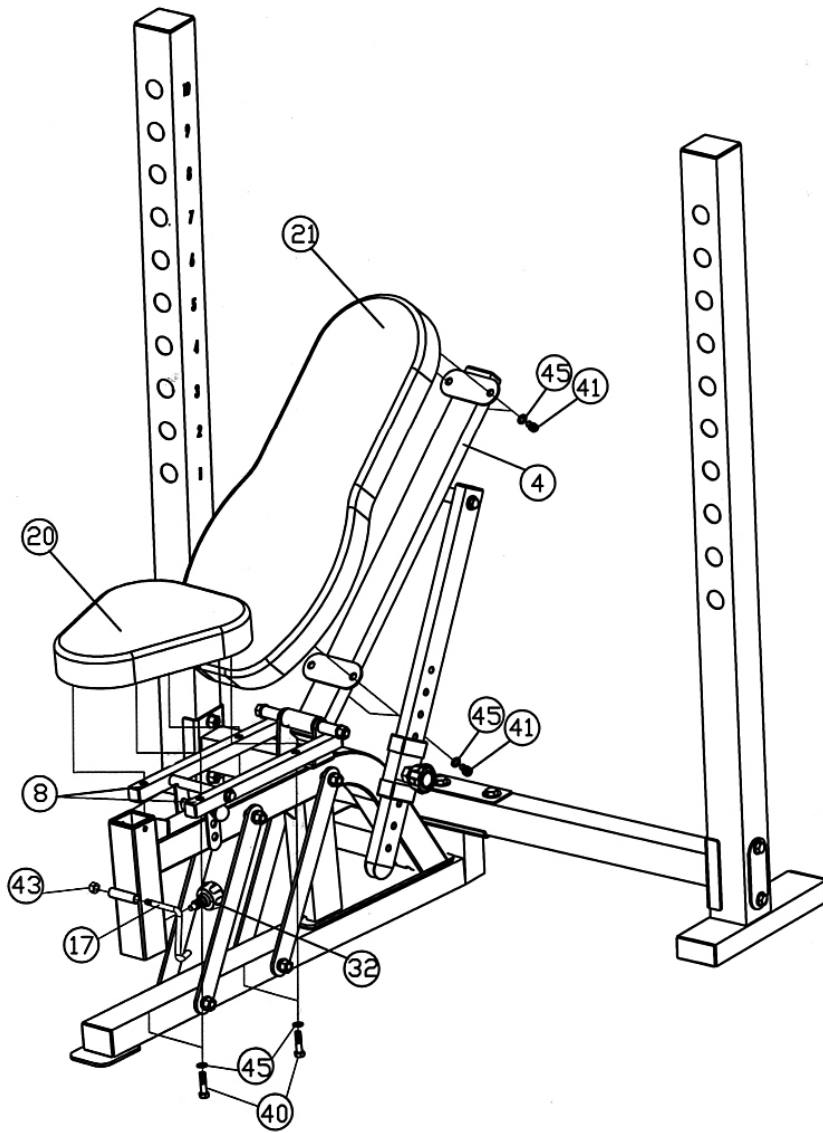
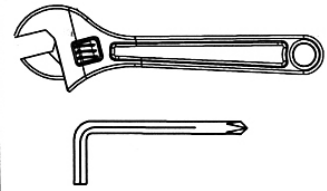
4

③⑦		M12 x 6"	1
③⑧		M12 x 6 1/8"	1
④②		M12	2
④④		∅ 1"	4

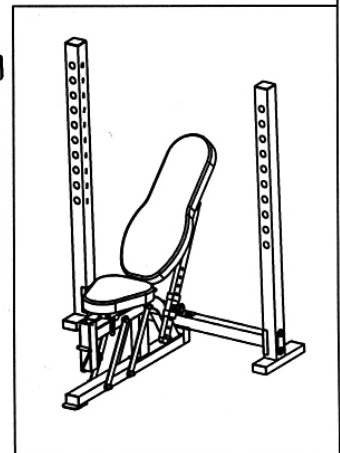


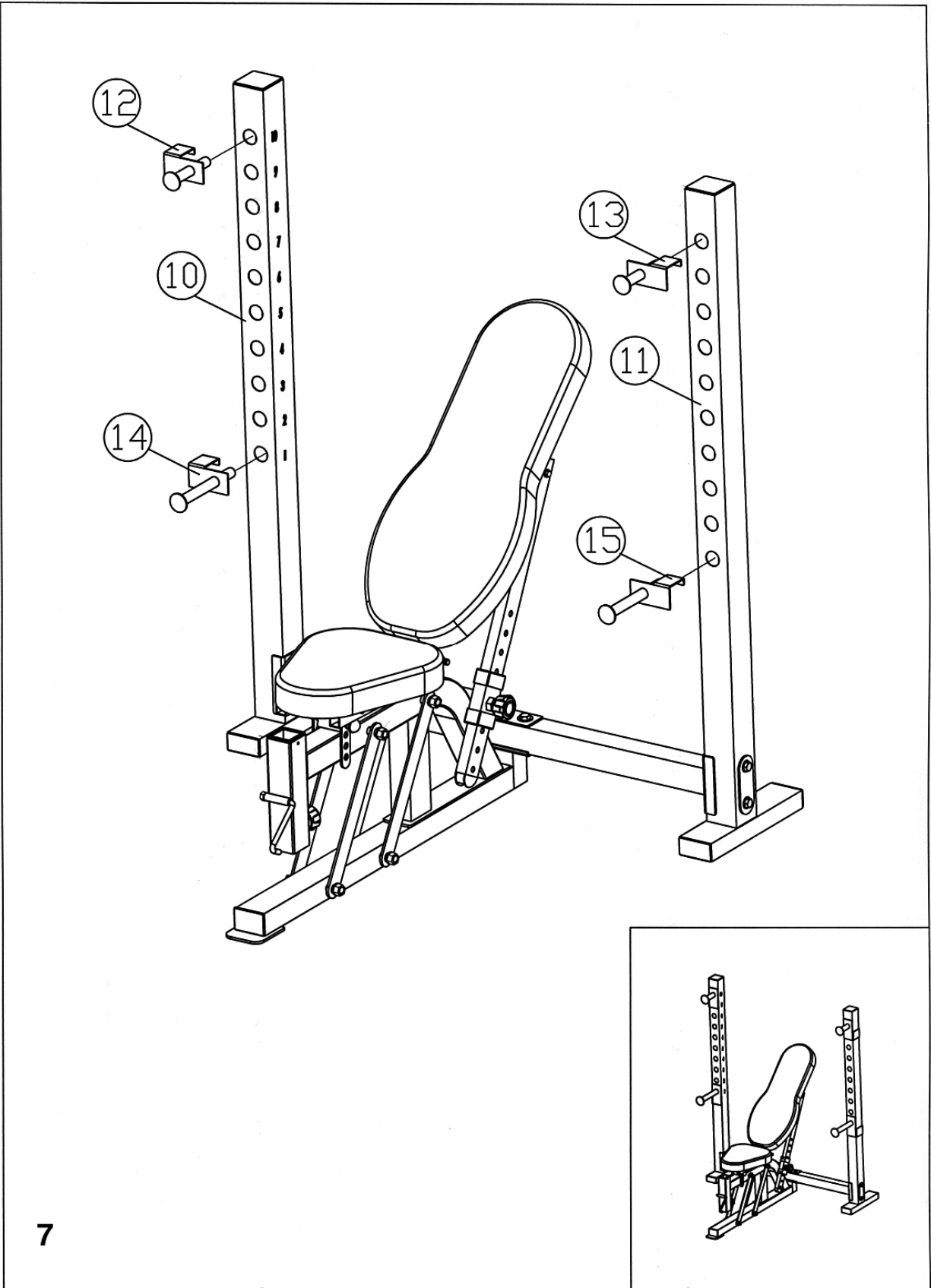
5

(17)			1
(41)		M10 × $\frac{5}{8}$ "	4
(40)		M10 × 1 $\frac{5}{8}$ "	4
(43)		M10	1
(45)		∅ $\frac{3}{4}$ "	8



6





7

IMPEX[®] INC.

2801 S. Towne Ave, Pomona, CA 91766

Tel: (800) 999-8899 Fax: (626) 961-9966

www.impex-fitness.com

info@impex-fitness.com